



Deneo[®].Lab

**Blood Collection &
Vaccination Chair**



Deneo® is a very innovative product allowing the best patient accessibility to care and the greatest comfort for both the practitioner and the patient. The design of DENEEO® is the result of a long research work and numerous tests in the field with phlebotomy professionals. This research ended up with several patents.



COMFORT

- > 360° rotation (on specific models only)
- > Reduced volume, optimized space
- > Bodyshape® upholstery: natural body position



ACCESSIBILITY

- > Sit'n Go® concept: welcome position at 50 cm from the ground (specific models)



SAFETY

- > Easy, effortless and rapid emergency position
- > Armrests on the backrest and integrated handles > long service life
- > Circular base: chair stability
- > M1 fire retardant upholstery (depending on the color, see color chart)
- > Maximum capacity: 200 kg



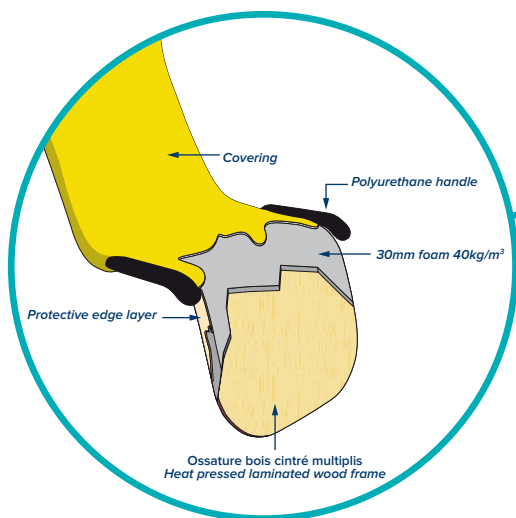
HYGIENE

- > Covering with antibacterial protection (depending on the color, see color chart)
- > Easy to clean
- > Seamless upholstery
- > Removable handles

Capacity



200 kg



Registered model

Sit'n Go® concept (specific models)



Initial chair position.



The patient positions his hands on the lateral grips and the seat lowers to facilitate the entry.



When the patient leans back, the chair automatically swings back to a comfortable position.

Effortless, the emergency position is obtained at any time, without effort for the practitioner.



STANDARD FEATURES

- Fixed height (seat at 50 cm) and hydraulic variable seating height from 51 to 71 cm
- White epoxy structure and base (ref: 80010-02R + 80015-02R)
- White epoxy column and chromed circular base (ref: 80000-02R + 80005-02F + 80005-02R)
- Column and circular base chromed (ref: 80070-02R + 80075-02R)
- Two lateral polyurethane hand grips integrated to the seat
- One-piece structure seamless upholstery foam thickness 30 mm, density 40 kg/m³
- Two removable formed armrests. Swivel adjusting system.
- Seamless heat formed M1 covering
- 200 kg patient weight capacity (tested at a static weight of 500 kg)



80000-02R

Fixed height circular base with rotation - concept Sit'n Glo®

80010-02R

Fixed height base 4 castors ø 50 mm with rotation - concept Sit'n Glo®

80070-02R

Hydraulic variable height with rotation - concept Sit'n Glo®

80005-02F

Fixed height circular base

80005-02R

Fixed height circular base with rotation

80015-02R

Fixed height base 4 castors ø 50 mm with rotation

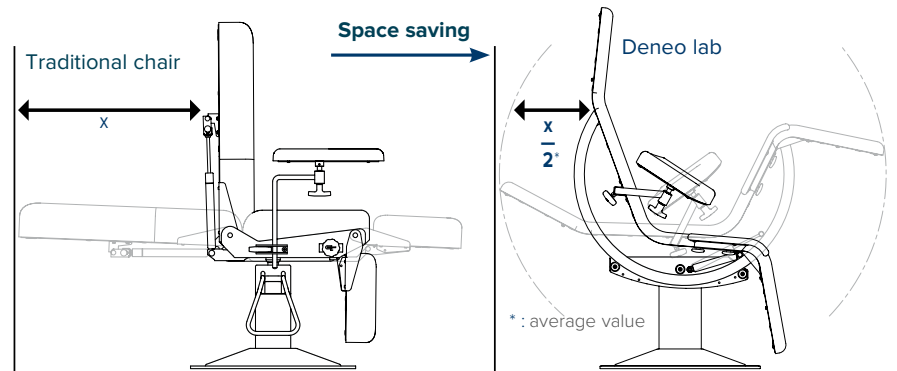
80075-02R

Hydraulic variable height with rotation

All these models feature the new legrest angle for easier access

OPTIMISE SPACE

The 360° rotation allows easy transition to the opposite side of the patient without moving.



OPTION*

Plant installed, must be ordered with initial order

ACCESSORIES



167-10

Paper roll holder
(length max 50 cm, ø 20 cm)



957

Lamp support for clamp



964

Stainless steel pan
(240 x 180 x 30 mm)



80922-10

Pair of assistance handles



80901-01

S/S pan with swivelling arm (right / left)



80193 + 80920-01

IV pole



80920-01

Clamp support
(leg or head side)



80921-01 + 80920-01

Clamp for accessories ø 16 mm



Lamps

Refer to the literature



80905-01

Plastic covering (leg section)



80906-01

Plastic covering (head section)

FIXED HEIGHT

NET WEIGHT : 53 KG
 GROSS WEIGHT : 67 KG
 PACKAGE VOLUME : 1,164 M³

HYDRAULIC VARIABLE HEIGHT

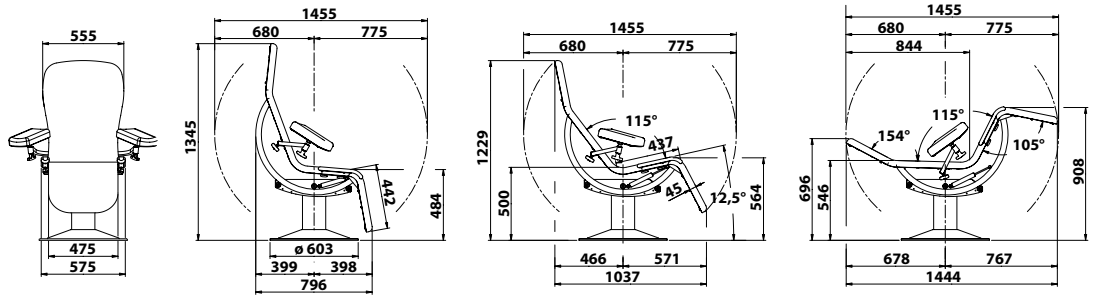
NET WEIGHT : 60 KG
 GROSS WEIGHT : 74 KG
 PACKAGE VOLUME : 1,164 M³

CHOICE OF M1 ANTIBACTERIAL
 FIRE-RETARDANT UPHOLSTERY

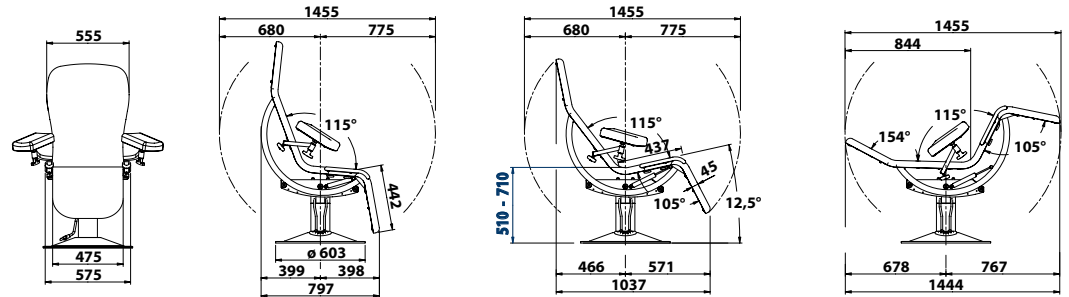
CLASSIC RANGE

- CA - TOMATE
CA - TOMATO
- CB - FUCHSIA
CB - FUCHSIA
- CC - PRUNE
CC - PLUM
- CD - CITRON
CD - LEMON
- CE - PAON
CE - PEACOCK
- CF - SAPHIR
CF - SAPHYR
- CG - BLEU MINUIT
CG - MIDNIGHT BLUE
- CH - GLACIER
CH - GLACIER
- CI - OBSCURE
CI - DARK
- 57 - ANTISTATIQUE
57 - ANTISTATIC
- CJ - GRIS
CJ - GREY
- CK - PLATINE
CK - PLATINUM

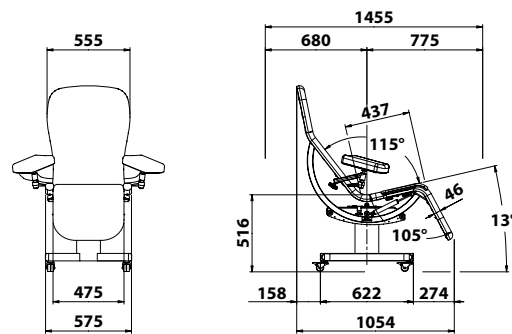
Fixed height circular base



Hydraulic variable height



Fixed height with 4 castors base



ELEGANT RANGE*

- EA - VERT PROFOND
EA - DEEP GREEN
- EB - VÉGÉTAL
EB - VEGETAL
- EC - ORAGE
EC - STORM
- ED - BLEU ARGENTÉ
ED - SILVER BLUE
- EE - PAPRIKA
EE - PAPRIKA
- EF - CRÉPUSCULE
EF - TWILIGHT
- EG - CAMEL
EG - CAMEL
- EH - LIÈGE
EH - CORK

* The Elegance range is subject to the application of a price supplement. Please refer to the price list.

FE-13/22



Distributed by:
ICONA

WWW.PROMOTAL.NZ
 WWW.PROMOTAL.COM.AU