



11614-01  
with accessories

# Elansa

GYNAECOLOGICAL TABLE



Version : 03-2022

# Elansa

THE EFFICIENT AND EASY TO USE CHAIR

## COMFORT

- > 1 actuator
- > Gas-spring assisted backrest
- > Bilateral receptacle for optional colposcope holder
- > Combined motion of the height and backrest
- > Foot control

## ACCESSIBILITY

- > Electric variable height from 46 to 106 cm
- > Cutout in the base for more accessibility to patient
- > Versatility of the table  
(gynecology and general examination with the cushion as accessory)
- > 3 models to adapt to various practices (stirrup, goepfels, footrests)

## SAFETY

- > Capacity 170kg
- > Emergency position 11°
- > Equipotential bonding conductor: enables to equalise the potentials between different electromedical devices

## HYGIENE

- > Removable formed seamless upholstery
- > Steel frame structure with white epoxy finish
- > Paper roll holder
- > Sliding and removable ABS tray on rails
- > Waterproof seatrest
- > Casters with brakes (option)

Variable Height



46 / 106 cm

Capacity



200 kg



Products shown with options/accessories



WELCOME



GENERAL EXAMINATION



GYNECOLOGY



EMERGENCY POSITION

## STANDARD FEATURES

Electric height adjustment from 46 to 106 cm

Combined height and backrest movements (1 actuator)

Gas-spring assisted backrest adjustment

Equipotential terminal

Foot control

Adjustable levellers under the base

Sliding and removable plastic pan on rails (6 litre capacity)

Bilateral anchor points for the colposcope holder 's accessories

Steel frame structure with white epoxy finish

Removable formed seamless upholstery

Paper roll holder (max. length 50 cm - ø 12,5 cm)

170 kg maximum patient weight capacity  
(tested at a dynamic weight of 210 kg and a static weight of 680 kg)

11610-01

Stirrups

11614-01

Goeppels

11615-01

Footrest

## OPTIONS\*

Plant installed, must be ordered with initial order

## ACCESSORIES



81036

Set of 4 double castors with brakes  
ø 50 mm



12851-01

Pair of retention straps  
for goepfels legrests



11679-01

Adjustable headrest



11372-01

Fill-in cushion with wall support  
(for 11615-01)



11272-01

Removable leg cushion  
with wall support  
(for 11610-01 & 11614-01)



Lamps +11910-01

Refer to the literature



11910-01

Accessory holder ø 16 mm



12677-01

Splash guard cover



2985-01 + 11910-01

Auto-locking 2 hook IV pole



Left  
8851-01

Olympus colposcope holder  
(for 11614-01)



11840-01

Zeiss colposcope holder



11810-01

Leisegang colposcope holder

Other colposcope holders  
available on request

NET WEIGHT : 95 KG  
 GROSS WEIGHT : 135 KG  
 PACKAGE VOLUME : 0.92 M<sup>3</sup>

**CHOICE OF M1ANTIBACTERIAL  
 FIRE RETARDANT UPHOLSTERY**

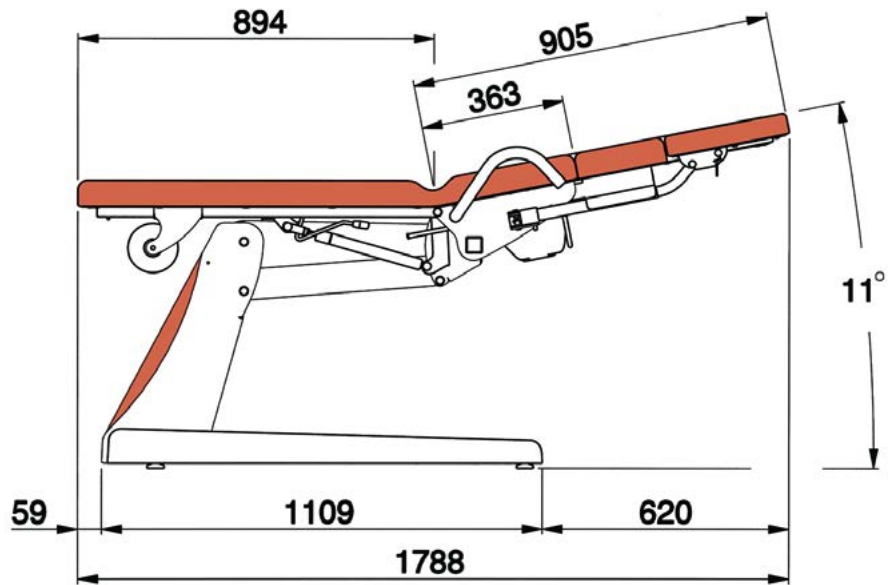
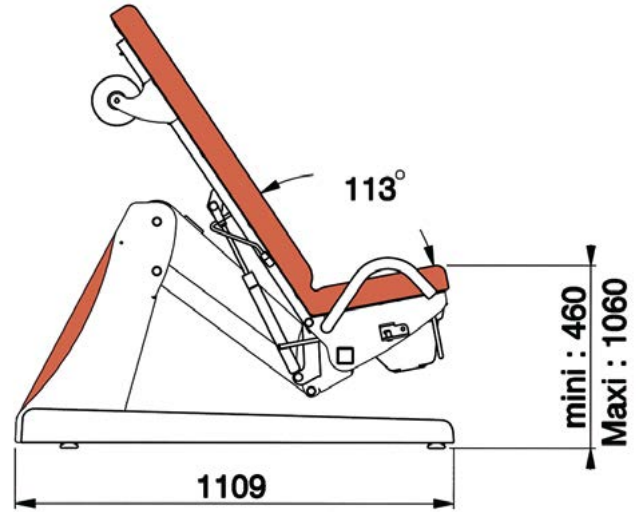
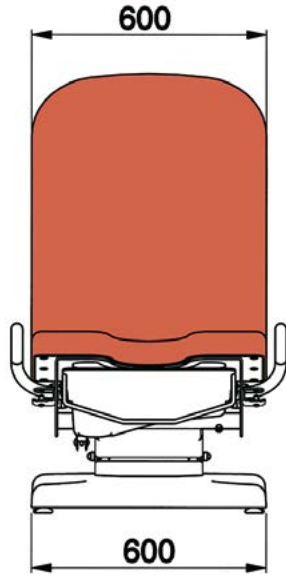
CLASSIC RANGE

- CA - TOMATO
- CB - FUCHSIA
- CC - PLUM
- CD - LEMON
- CE - PEACOCK
- CF - SAPHYR
- CG - MIDNIGHT BLUE
- CH - GLACIER
- CI - DARK
- 57 - ANTISTATIC
- CJ - GREY
- CK - PLATINUM

ELEGANT RANGE\*

- EA - DEEP GREEN
- EB - VEGETAL
- EC - STORM
- ED - SILVER BLUE
- EE - PAPRIKA
- EF - TWILIGHT
- EG - CAMEL
- EH - CORK

68



FE-13/22

\* The Elegance range is subject to the application of a price supplement. Please refer to the price list.



Distributed by:



WWW.PROMOTAL.NZ  
 WWW.PROMOTAL.COM.AU