



Stools • Laboratory Chairs • Step Stools



STOOLS

STANDARD FEATURES

5 branch brilliant polish finish aluminium base
Variable height by gas column
Patient weight capacity: 135 kg

SADDLE SEAT

Base ø 56 cm
2 hand controls for height and inclination adjustments of the seat
50 mm ø double roller castors
High density upholstery (100 kg/m³)

STANDARD STOOLS

Seat ø 37 cm and base ø 50 cm
Squared upholstery
50 mm ø double roller castors (depending on the model)

SADDLE SEATS

H. min. / max. mm

952-10	465	550
953-10	555	740
956-10	655	905



2 possible adjustments



Seat height



Seat incline

STANDARD STOOLS

H. min. / max. mm

912	355	440	On base - hand control
913	440	630	On base - hand control
916	560	810	On base - hand control
922-10	385	470	On castors - hand control
923-10	470	660	On castors - hand control
926-10	575	825	On castors - hand control
923-22	510	690	On castors - foot control
926-22	600	850	On castors - foot control



923-22



922-10

with option 928



926-10

with accessory 925

OPTIONS* STOOLS

*Plant installed, must be ordered with initial order

ACCESSORIES STOOLS



927

Footrest ø 46 cm
(except 923-22 and 926-22)



928

Stretch seamless upholstery
(incompatible with saddle seat)



925

Backrest (250 x 380 mm)
(Standard)



955-10

Backrest (250 x 380 mm)
(Saddle seat)

LABORATORY CHAIRS AND STEPS STOOLS

STANDARD FEATURES

STEPS STOOLS

Frame and step(s) in stainless steel

LABORATORY CHAIRS

5 branch brilliant polish finish aluminium base

Variable height by gas column

50 mm ø double roller castors (depending on the model)

Patient weight capacity: 135 kg

STEPS STOOLS

900-10 2 steps 35 x 20 cm

901-10 1 step 35 x 25 cm



901-10
Step height : 21 cm

900-10

SIÈGES LABORATOIRE / LABORATORY CHAIRS

	H. min. / max. mm		
73	470	660	On base
76	570	820	On base
83	500	690	On castors
86	600	850	On castors



86

OPTIONS* LABORATORY CHAIRS

*Plant installed, must be ordered with initial order



927

Footrest ø 46 cm

4 possible adjustments



Seat height



Backrest inclination



Backrest depth

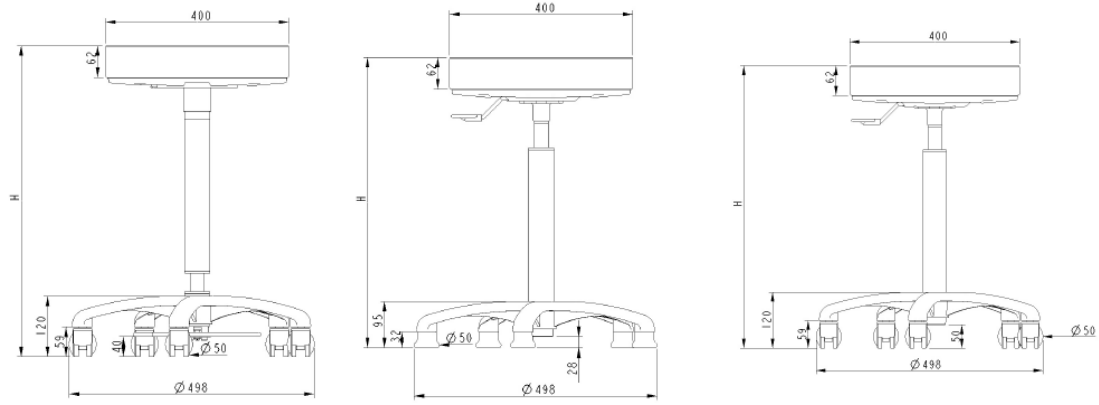


Backrest height

Stools

Foot control models

Hand control models

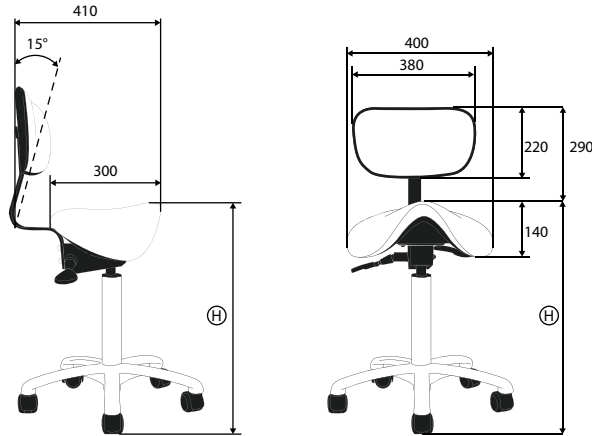


CHOICE OF M1ANTIBACTERIAL
FIRE RETARDANT UPHOLSTERY

CLASSIC RANGE

- CA - TOMATO
- CB - FUCHSIA
- CC - PLUM
- CD - LEMON
- CE - PEACOCK
- CF - SAPHYR
- CG - MIDNIGHT BLUE
- CH - GLACIER
- CI - DARK
- 57 - ANTISTATIC
- CJ - GREY
- CK - PLATINUM

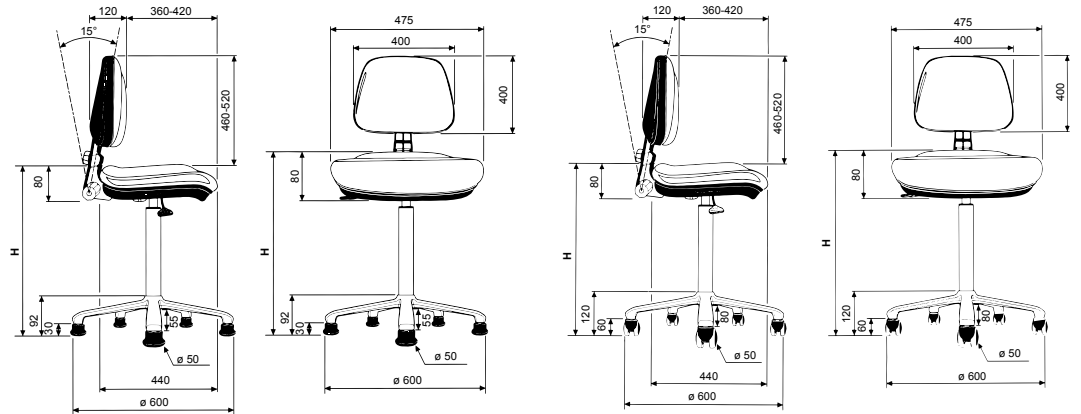
Saddle seats



Laboratory chairs

Models on base

Models on castors

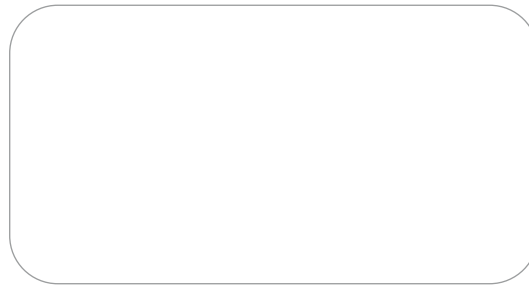


ELEGANT RANGE*

- EA - DEEP GREEN
- EB - VEGETAL
- EC - STORM
- ED - SILVER BLUE
- EE - PAPRIKA
- EF - TWILIGHT
- EG - CAMEL
- EH - CORK

* The Elegance range is subject
to the application of a price supplement.
Please refer to the price list.

FE-13/22



Distributed by:



WWW.PROMOTAL.NZ
WWW.PROMOTAL.COM.AU