



Standard Blood Collection Chair



NET WEIGHT : 29 KG
 GROSS WEIGHT : 33 KG
 PACKAGE VOLUME : 0.515 M³

STANDARD FEATURES

- Steel tube frame
- White polyester epoxy finish
- Fixed or adjustable backrest
- Black polyurethane armrest
- Patient weight capacity 200 kg



21523

Fixed backrest

21524

Adjustable backrest

CHOICE OF M1 ANTIBACTERIAL FIRE RETARDANT UPHOLSTERY

CLASSIC RANGE

- CA - TOMATO
- CB - FUCHSIA
- CC - PLUM
- CD - LEMON
- CE - PEACOCK
- CF - SAPHYR
- CG - MIDNIGHT BLUE
- CH - GLACIER
- CI - DARK
- 57 - ANTISTATIC
- CJ - GREY
- CK - PLATINUM

68

ACCESSORIES



30141-01

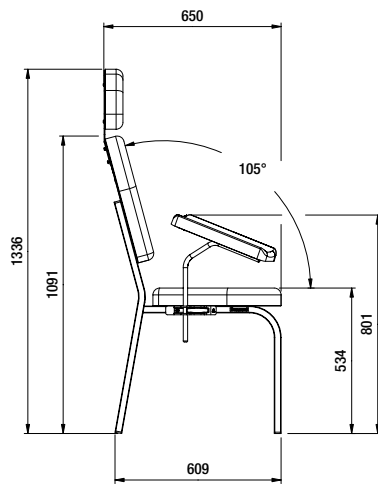
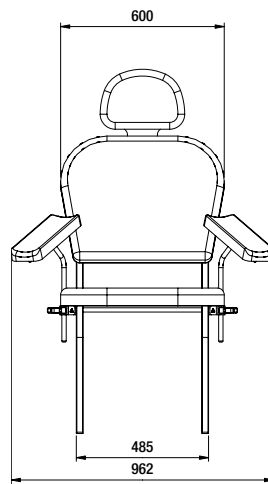
Headrest



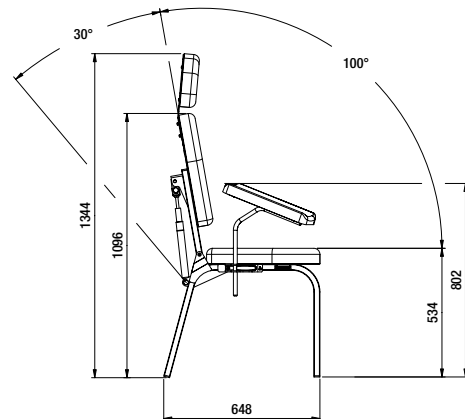
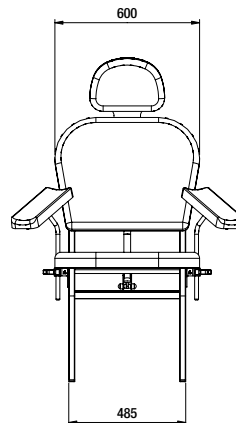
2537

Cover for armrest (unit)

21523



21524



ELEGANT RANGE*

- EA - DEEP GREEN
- EB - VEGETAL
- EC - STORM
- ED - SILVER BLUE
- EE - PAPRIKA
- EF - TWILIGHT
- EG - CAMEL
- EH - CORK

* The Elegance range is subject to the application of a price supplement. Please refer to the price list.



WWW.PROMOTAL.NZ
 WWW.PROMOTAL.COM.AU

Distributed by:

