



Quest®

Cardiology



EXAMINATION COUCH - ELECTRIC VARIABLE HEIGHT



Quest[®]

Cardiology



COMFORT

- > 100 % of the surface usefull
- > Smooth electrical motions
- > 3 connections possible (possibility to combine hand and foot control)



ACCESSIBILITY

- > Variable height from 54 to 94 cm
- > Lateral cut out for cardiological examination
- > Compatible with a hoist



SAFETY

- > Very stable H shaped base
- > Sturdy elevation arms
- > 200 kg patient weight capacity
- > Trendelenburg - reverse trendelenburg (on specific models only)
- > M1 fire retardant upholstery
- > Equipotential terminal (option)



HYGIENE

- > Exclusive Block'n Roll system (models 2080-15/30/50)
- > All exposed parts are cleanable
- > Covering with antibacterial protection (depending on the color, see color chart)

Variable height

54 / 94 cm

Lying surface

65 x 200 cm

Capacity

200 kg



Products shown with options/accessories

STANDARD FEATURES

- Electric variable height from 54 to 94 cm
- Steel frame structure with white epoxy finish
- Gas-spring assisted or electric backrest
- Lateral cut out for cardiological examination
- Flat upholstery, width 65 cm (standard), 75 cm (option)
- Hand control
- Adjustable levellers under base
- Block'n Roll® - Integrated retractable castor system semi centralized (according to models)
- Paper roll holder (max length 50 cm - ø 20 cm)
- Mobile hoist compatibility clearance of 12 cm
- Possibility of 3 control connections
- 200 kg patient weight capacity (tested at a dynamic weight of 250 kg and a static weight of 800 kg)

2080-10	Levellers - gas-spring assisted backrest
2080-15	Block'n Roll® - gas-spring assisted backrest
2080-20	Levellers - tredenlenburg / reverse tredenlenburg - gas-spring assisted backrest
2080-30	Block'n Roll® - tredenlenburg / reverse tredenlenburg - gas-spring assisted backrest
2080-50	Block'n Roll® - tredenlenburg / reverse tredenlenburg - electric backrest

OPTIONS*

*Plant installed, must be ordered with initial order

ACCESSORIES



81036

Set of 4 double castors with brakes
ø 50 mm
(for 2080-10/20)



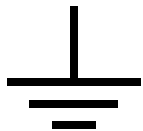
For upholstery
65 cm 75 cm

2231-65 **2231-75**

Face cutout in head cushion

2081-75

Supplement width 75 cm



2059-01

Earth Socket (class 1)
+ equipotential terminal



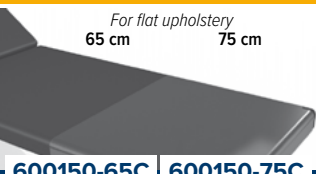
850+166

Pair of stirrups



840+166

Pair of plastic legrests



For flat upholstery
65 cm 75 cm

600150-65C **600150-75C**

Plastic cover (foot end)



Lampes/Lamps + 166

Refer to the literature



166

Pair of clamps



985-01+166

2 hook IV pole



2985-01+166

Auto-locking 2 hook IV pole



2536+166

Armrest (unit)



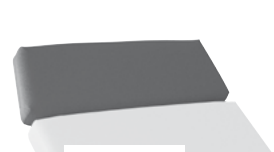
2537

Cover for armrest (unit)



861

Pair of covers for legrests



2055-01

Backrest extension



1102-10

Headrest 52 cm



2051-10

Foot control
(ref. 2080-10/15)



2051-21

Foot control
(ref. 2080-20/30)



2051-31

Foot control
(ref. 2080-50)



2056-02

Adjustable paper-roll holder
(350-800 mm)



85114-01

Pair of barriers
Incompatible with
166, 985-01, 2985-01

NET WEIGHT : 120 KG

GROSS WEIGHT : 162 KG

PACKAGE VOLUME : 1,534 M³

CHOICE OF M1ANTIBACTERIAL FIRE RETARDANT UPHOLSTERY

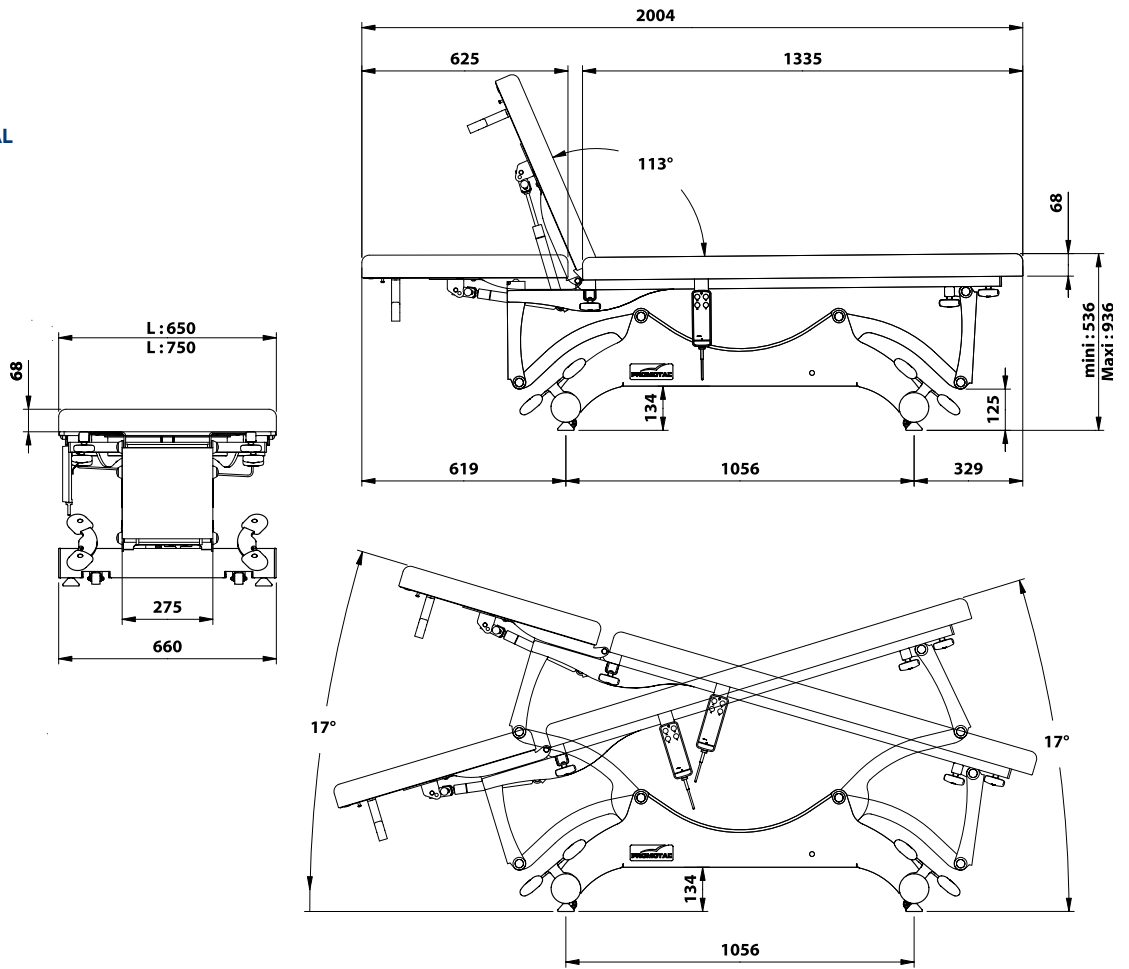
CLASSIC RANGE

- CA - TOMATO
- CB - FUCHSIA
- CC - PLUM
- CD - LEMON
- CE - PEACOCK
- CF - SAPHYR
- CG - MIDNIGHT BLUE
- CH - GLACIER
- CI - DARK
- 57 - ANTISTATIC
- CJ - GREY
- CK - PLATINUM

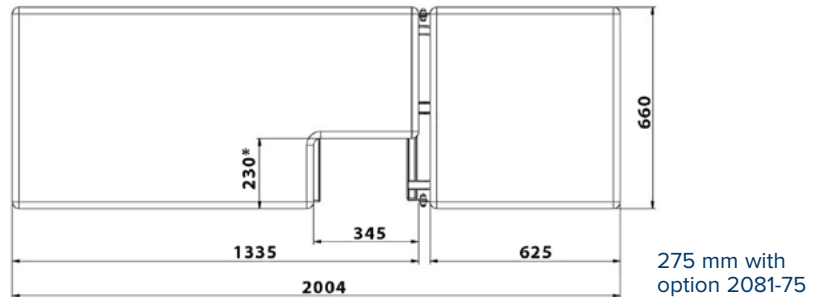
ELEGANT RANGE*

- EA - DEEP GREEN
- EB - VEGETAL
- EC - STORM
- ED - SILVER BLUE
- EE - PAPRIKA
- EF - TWILIGHT
- EG - CAMEL
- EH - CORK

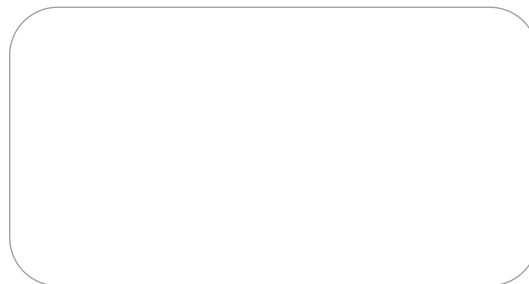
* The Elegance range is subject to the application of a price supplement. Please refer to the price list.



Top view



FE-13/22



Distributed by:



WWW.PROMOTAL.NZ
WWW.PROMOTAL.COM.AU