



Quest[®]

EXAMINATION COUCH - ELECTRIC VARIABLE HEIGHT



Quest[®]

THE REFERENCE FOR POWER COUCHES



COMFORT

- > 100 % of the surface useful
- > Smooth electrical motions
- > 3 connections possible (possibility to combine hand and foot control)



ACCESSIBILITY

- > Variable height from 54 to 94 cm
- > Compatible with a hoist



SAFETY

- > Very stable H shaped base
- > Sturdy elevation arms
- > 200 kg patient weight capacity
- > Trendelenburg - reverse trendelenburg (on specific models only)
- > Battery for emergency movements (option)
- > Equipotential terminal (option)



HYGIENE

- > Exclusive Block'n Roll system (models 2050-10/30/50)
- > All exposed parts are cleanable
- > Covering with antibacterial protection (depending on the color, see color chart)

Variable height

54 / 94 cm

Lying surface

65/75 x 200 cm

Capacity

200 kg

Products shown with options/accessories



WELCOME



HIGH POSITION



GENERAL EXAMINATION



TRENDLENBURG



REVERSE TRENDLENBURG

STANDARD FEATURES

Electric variable height from 54 to 94 cm

Steel frame structure with white epoxy finish

Gas-spring assisted or electric backrest

Hand control

Adjustable levellers under base

Block'n Roll® - Integrated retractable castor system semi centralized (ref. 2050-15, 2050-30 and 2050-50)

Paper roll holder (max length 50 cm - ø 12,5 cm)

Mobile hoist compatibility clearance of 12 cm

Possibility of 3 control connections

Electrical medical device class 2 / Available in class 1 with option 2059-01, not compatible with 85114-01

2050-10

Levellers - gas-spring assisted backrest

2050-15

Block'n Roll® - gas-spring assisted backrest

2050-20

Levellers - tredenlenburg / reverse tredenlenburg - gas-spring assisted backrest

2050-30

Block'n Roll® - tredenlenburg / reverse tredenlenburg - gas-spring assisted backrest

2050-50

Block'n Roll® - tredenlenburg / reverse tredenlenburg - electric backrest

UPHOLSTERY

All models, to order separately



81036

Set of 4 double castors with brakes ø 50 mm (for 2050-10/20)

Pour sellerie/For upholstery
65 cm 75 cm



2231-65 **2231-75**

Face cutout in head cushion only with flat upholstery 600150-65 / 600150-75



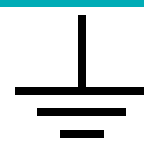
600000-01

Factory assembly fitting of upholstery



2092

Battery for emergency movements



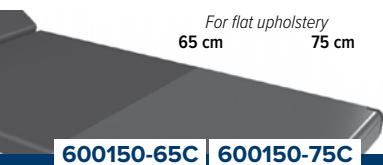
2059-01

+Earth socket (class 1) +equipotential terminal

OPTIONS*

*Plant installed, must be ordered with initial order

ACCESSORIES



600150-65C **600150-75C**

Plastic cover (foot end)



2056-02

Adjustable paper-roll holder (350-800 mm)



2536+166

Armrest (unit)



2537

Cover for armrest (unit)



985-01+166

2 hook IV pole



2985-01+166

Auto-locking 2 hook IV pole



2054-01

Headrest (for formed upholstery only)



2055-01

Backrest extension
Incompatible with formed upholstery



1102-10

Headrest 52 cm



85114-01

Pair of barriers
Incompatible with 166, 985-01, 2985-01



30878-XXT+878-12

Pair of head rails



30878-XXP+878-12

Pair of foot rails



2051-10

Foot control (ref. 2050-10/15)



2051-21

Foot control (ref. 2050-20/30)



2051-31

Foot control (ref. 2050-50)



166

Pair of clamps



878-12

Sliding clamp for 25x10 mm rail, ø 16/18 mm



Lampes/Lamps + 166

Refer to the literature

NET WEIGHT :

Couch : 83 kg – Upholstery : 21 kg

GROSS WEIGHT :

Couch : 121 kg – Upholstery : 25 kg

PACKAGE VOLUME :

Couch : 0,96 m³ – Upholstery : 0.28 m³

**CHOICE OF M1 ANTIBACTERIAL
FIRE-RETARDANT UPHOLSTERY**

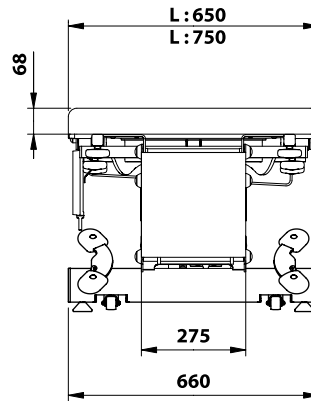
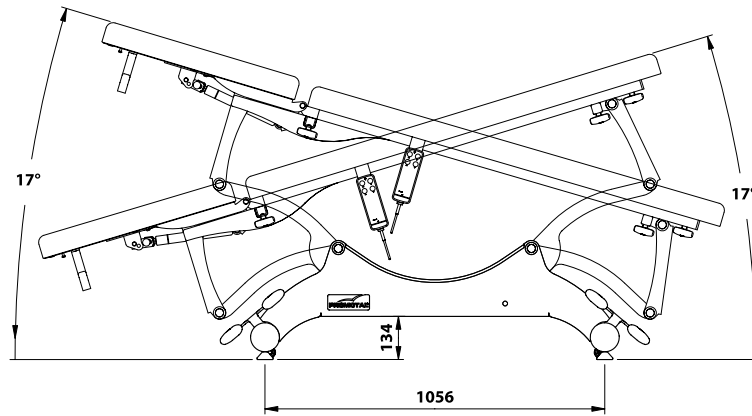
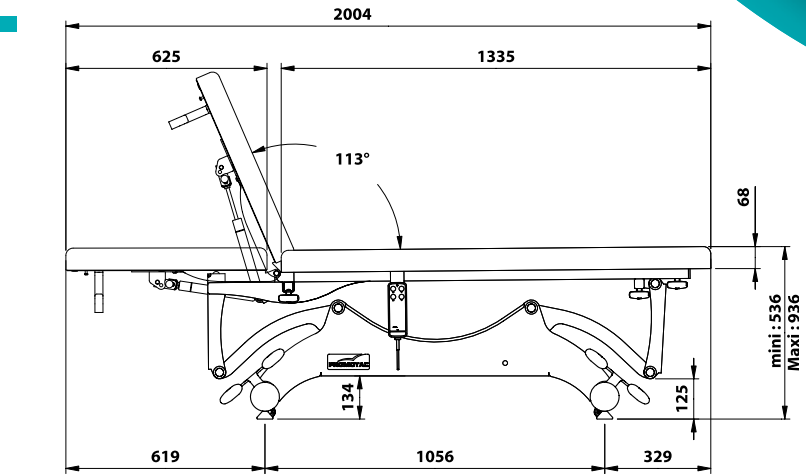
CLASSIC RANGE

- CA - TOMATO
- CB - FUCHSIA
- CC - PLUM
- CD - LEMON
- CE - PEACOCK
- CF - SAPHYR
- CG - MIDNIGHT BLUE
- CH - GLACIER
- CI - DARK
- 57 - ANTISTATIC
- CJ - GREY
- CK - PLATINUM

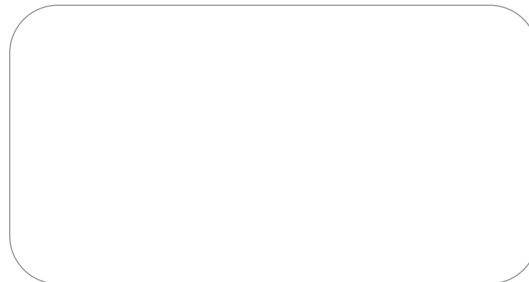
ELEGANT RANGE*

- EA - DEEP GREEN
- EB - VEGETAL
- EC - STORM
- ED - SILVER BLUE
- EE - PAPRIKA
- EF - TWILIGHT
- EG - CAMEL
- EH - CORK

* The Elegance range is subject to the application of a price supplement. Please refer to the price list.



FE-13/22



Distributed by:



WWW.PROMOTAL.NZ
WWW.PROMOTAL.COM.AU