



Blood Collection Chair

BLOOD SAMPLING CHAIRS • FIXED HEIGHT • ELECTRIC • HYDRAULIC VARIABLE HEIGHT

Blood Collection Chair

FIXED HEIGHT • ELECTRIC & HYDRAULIC VARIABLE HEIGHT



COMFORT

- > Foam thickness 80 mm
- > Back and legrest reclinable
- > Hydraulic or electric variable height (depending on models)
- > Combined or independent motion of the foot cushion
- > Smooth electrical motions (electrical model)



ACCESSIBILITY

- > Retractable foot cushion
- > Variable height from 57 to 77 cm (hydraulic) or 53 to 93 cm (electric)



SAFETY

- > Capacity 200 kg (contact us for larger capacity)
- > Fire retardant upholstery classed M1



HYGIENE

- > Covers available for armrests
- > Easily cleanable structure
- > Covering with antibacterial protection

Hydraulic variable height



Product shown: hydraulic model
(also in electric and fixed models)

Electric variable
height

53 / 93 cm

Hydraulic variable
height

57 / 77 cm

Capacity



200 kg

STANDARD FEATURES

Gas spring assisted backrest, bi-lateral control

360° Rotation (hydraulic version)

Upholstery with class M1 flame retardant covering

2 black polyurethane armrests

2 welded clamps

White epoxy polyester coated frame

Hydraulic or electric height adjustment (except for fixed models)

Paper roll holder

70892	Fixed height - independent leg cushion
70902	Fixed height - combined leg cushion / backrest
70132	Electric variable height - independent leg cushion
70142	Electric variable height - combined leg cushion / backrest
2571	Hydraulic variable height - independent leg cushion
2561	Hydraulic variable height - combined leg cushion / backrest



Fixed height



Electric variable height

OPTION*

Plant installed, must be ordered with initial order

ACCESSORIES



81036

Set of 4 double castors with brakes \varnothing 50 mm (except 2561 & 2571)



70964

Instruments tray



840

Pair of plastic legrests



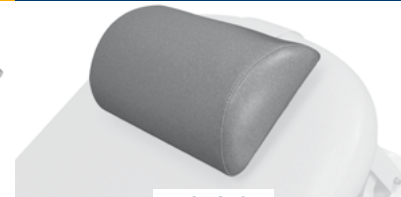
850

Pair of s/s stirrups



861

Pair of covers for legrests



11679-01

Adjustable headrest



2537

Covers for armrest (one unit)



20037

Plastic covering for armrest (one unit)



70000-20C

Plastic covering (leg section)



70171

Plastic cover (head end)

FIXED HEIGHT

NET WEIGHT : 46 KG
 GROSS WEIGHT : 60 KG
 PACKAGE VOLUME : 0,92 M³

ELECTRIC VARIABLE HEIGHT

NET WEIGHT : 67 KG
 GROSS WEIGHT : 81 KG
 PACKAGE VOLUME : 0,92 M³

HYDRAULIC VARIABLE HEIGHT

NET WEIGHT : 75 KG
 GROSS WEIGHT : 89 KG
 PACKAGE VOLUME : 0,92 M³

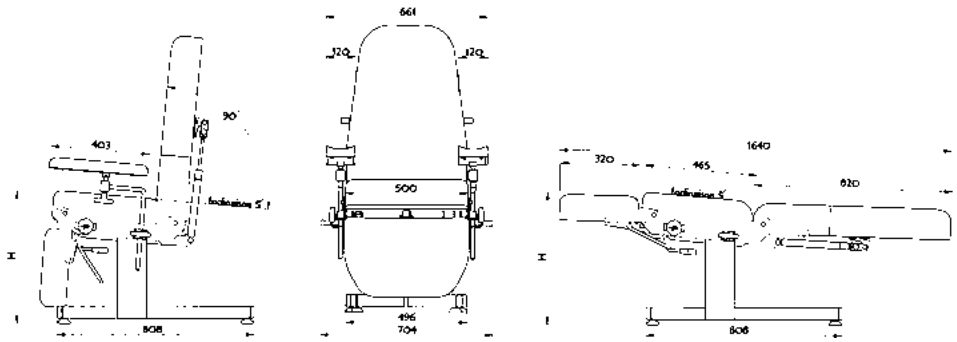
CHOICE OF M1 ANTIBACTERIAL
 FIRE-RETARDANT UPHOLSTERY

- CLASSIC RANGE
- CA - TOMATE
CA - TOMATO
 - CB - FUCHSIA
CB - FUCHSIA
 - CC - PRUNE
CC - PLUM
 - CD - CITRON
CD - LEMON
 - CE - PAON
CE - PEACOCK
 - CF - SAPHIR
CF - SAPHYR
 - CG - BLEU MINUIT
CG - MIDNIGHT BLUE
 - CH - GLACIER
CH - GLACIER
 - CI - OBSCURE
CI - DARK
 - 57 - ANTISTATIQUE
57 - ANTISTATIC
 - CJ - GRIS
CJ - GREY
 - CK - PLATINE
CK - PLATINUM

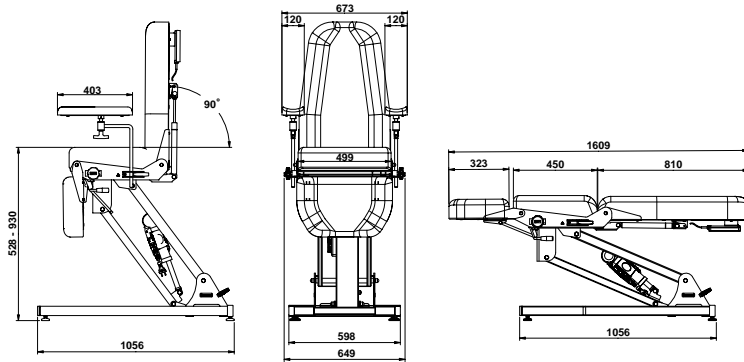
- ELEGANT RANGE*
- EA - VERT PROFOND
EA - DEEP GREEN
 - EB - VÉGÉTAL
EB - VEGETAL
 - EC - ORAGE
EC - STORM
 - ED - BLEU ARGENTÉ
ED - SILVER BLUE
 - EE - PAPRIKA
EE - PAPRIKA
 - EF - CRÉPUSCULE
EF - TWILIGHT
 - EG - CAMEL
EG - CAMEL
 - EH - LIÈGE
EH - CORK

* The Elegance range is subject to the application of a price supplement. Please refer to the price list.

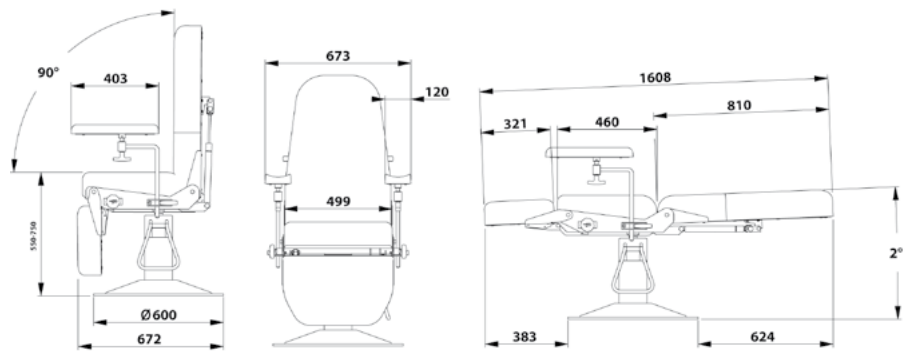
Fixed height



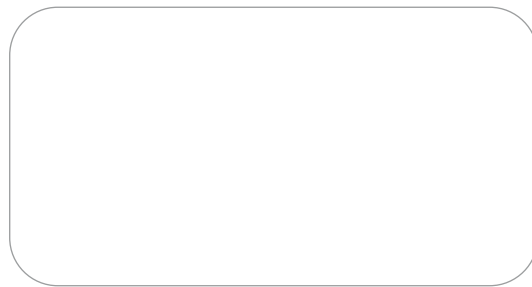
Electric variable height



Hydraulic variable height



FE-13/22



WWW.PROMOTAL.NZ
 WWW.PROMOTAL.COM.AU